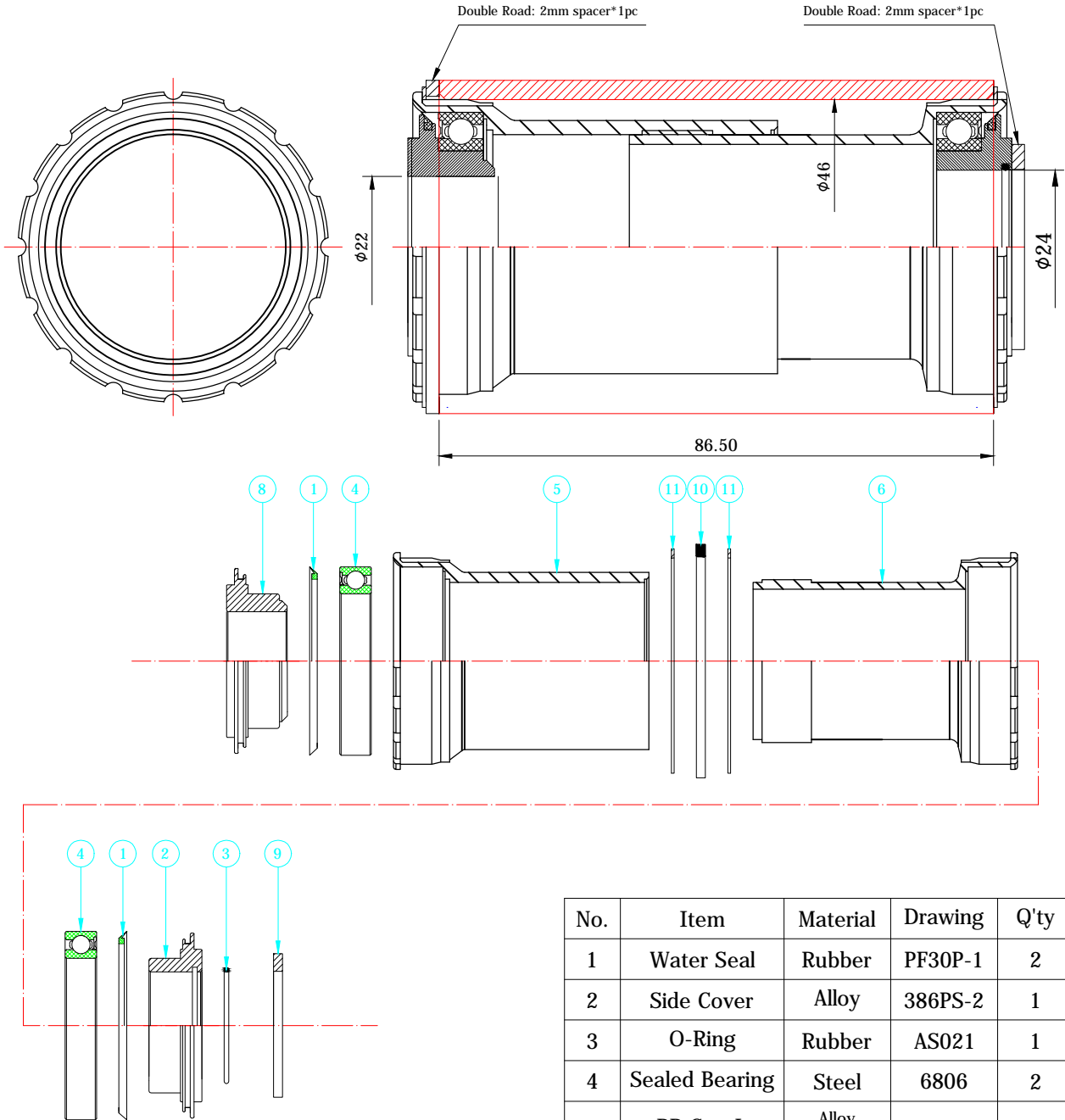


## TF386GXP

## Thread Fit BB for BB386 with GXP External Crankset



- For BB386 Frame (φ46x86.5mm) & GXP φ22/24mm Crankset
- TBT Bearing upgrade option: **TF386GXP-TBT**
- X-Seal: Dual water seal construction
- Hand Assembled

No.	Item	Material	Drawing	Q'ty
1	Water Seal	Rubber	PF30P-1	2
2	Side Cover	Alloy	386PS-2	1
3	O-Ring	Rubber	AS021	1
4	Sealed Bearing	Steel	6806	2
5	BB Cup-L	Alloy + Plastic	TF4630-2	1
6	BB Cup-R	Alloy + Plastic	TF4630-1	1
8	Side Cover	Alloy	386PR-2	1
9	Spacer	Alloy	BB30R-2	1
10	2mm Spacer	Alloy	PF30AP-A2	1
11	0.6mm Spacer	Plastic	TF4630-4	2
Unit: mm		Scale: 1:1		Version: B
				2016.07.13